

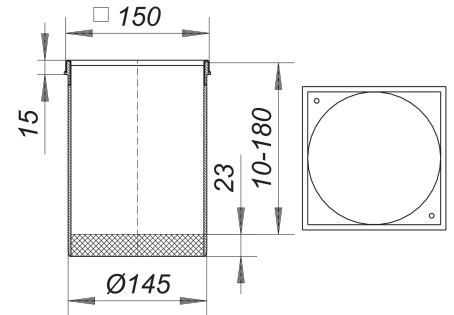
---

**frame S 15, 304 stainless steel, 150 x 150 mm**

---

Part number: 500625  
GTIN: 4001636500625  
Rebate group: 3

---



---

**Description:**

frame S 15, 304 stainless steel, 150 x 150 mm  
used with floor drain types 54/55, 57/58, 61 and 61/1  
frame 304 or 316L stainless steel, with threaded inserts,  
spigot polypropylene  
304 stainless steel, 150 x 150 mm