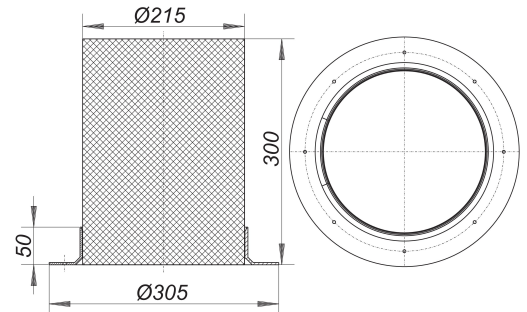


sleeve former No 1, d: 215 mm

Part number: 590268
GTIN: 4001636590268
Rebate group: 3



Description:

sleeve former No 1, d: 215 mm
coated styrofoam, used when installing fire and sound-insulating collar - installation kit 1 and 5

specification:
-holder in polypropylene