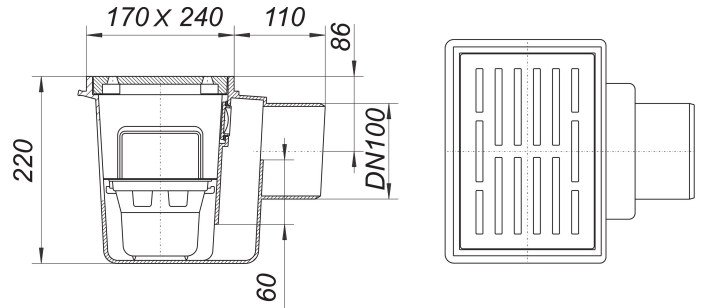


## utility drain type 71, DN 100

Part number: 710062  
 GTIN: 4001636710062  
 Rebate group: 3



### Description:

utility drain type 71, DN 100  
 outlet DN 100 horizontal (3 degrees fall)

#### specification

- trap insert, 60 mm water seal (conforming to DIN EN 1253)
- bucket

#### material

polypropylene  
 frame polypropylene, 170 x 240 mm, grate ABS, load class K 3 (300 kg)

### Flow rates tested to DIN EN 1253:

Nominal diameter	Product standard	Min. flow rate according to norm	Water level according to norm
DN 100	DIN EN 1253	1.40 l/s	20.00 mm

### Spare parts:

590015 screwed plug for 54, 55, 57, 57 AK, 58,

714961 bucket for utility drain 71

714923 grate for utility drain 71, grey, 225 x