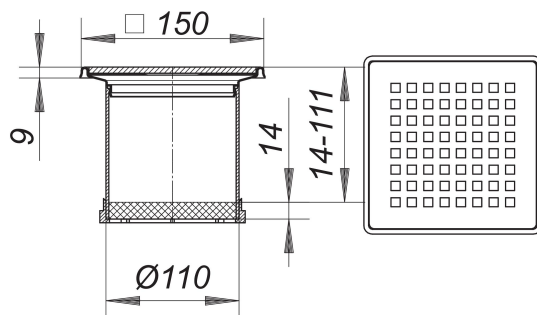

grating Quadra S 10/150, 150 x 150 mm

Part number: 510167
GTIN: 4001636510167
Rebate group: 3



Description:

grating Quadra S 10/150, 150 x 150 mm
used with floor drain types 40, 42 and 46
spigot ABS, extendable with DN 100 plastic pipe
frame 304 stainless steel, 150 x 150 mm
design grate 5 mm 304 stainless steel, 140 x 140 mm, load class L 15 (1.5 t)

Some of these gratings can be supplied with d: 103 mm spigot where its use is allowed. Please enquire.

Spare parts:

495013 drainage ring S 10