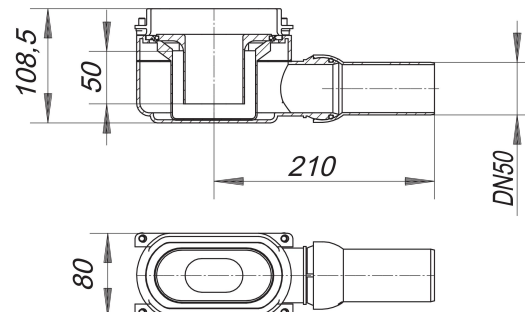
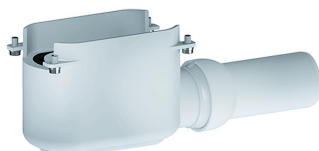


drain body CeraLine as of 2009, DN 50

Part number: 520692
GTIN: 4001636520692
Rebate group: 8



Description:

drain body CeraLine as of 2009, DN 50
drain body CeraLine as of 2009

Flow rates tested to DIN EN 1253:

Nominal diameter	Product standard	Min. flow rate according to norm	Water level according to norm
DN 50	DIN EN 1253	0.80 l/s	20.00 mm